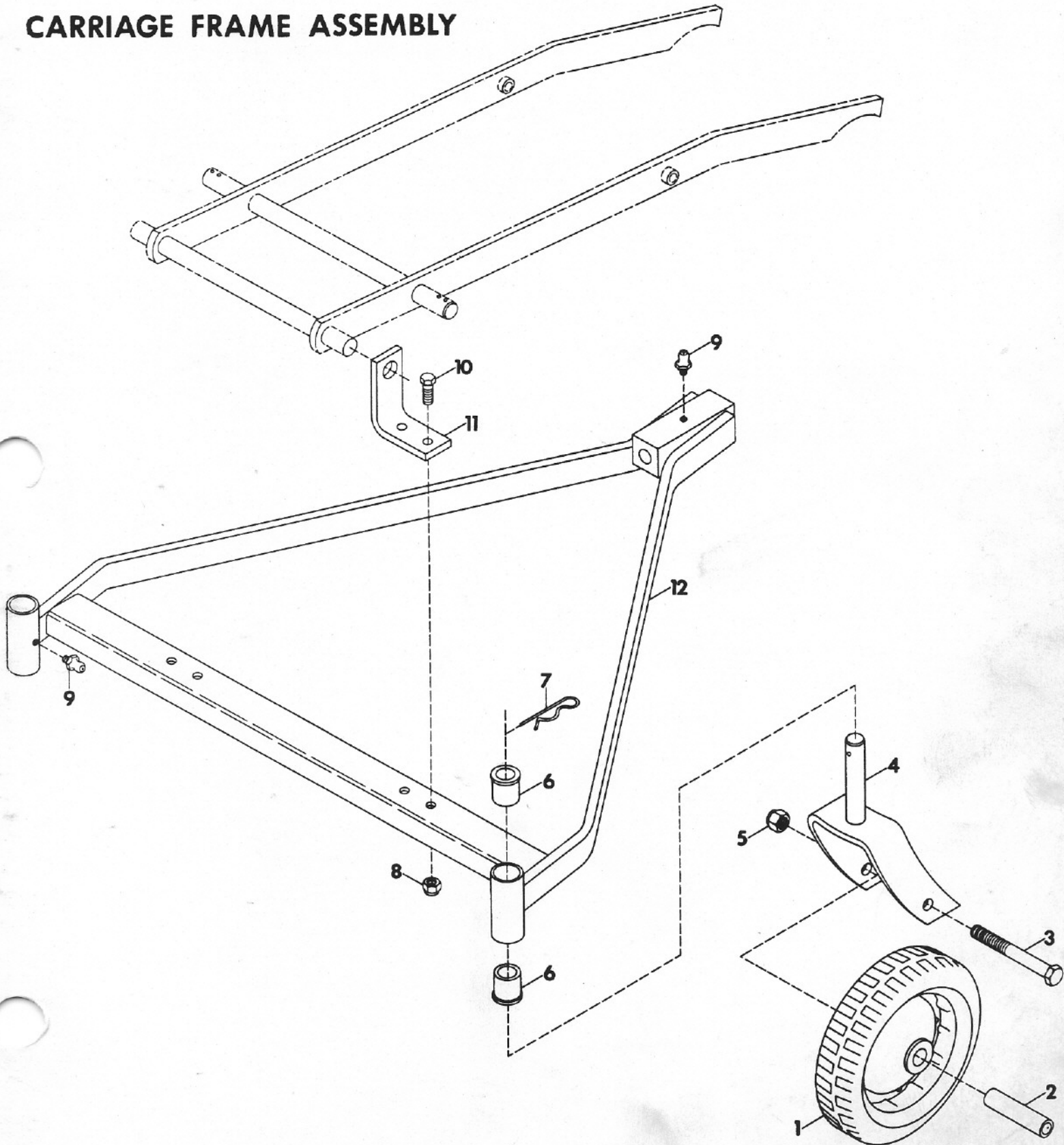


ILLUSTRATED PARTS LIST

To continue its program of quality and design improvement, the manufacturer reserves the right to change specifications, design or prices without notice and without incurring obligation.

50" ROTARY MOWER	
Model Nr.	MA - 605 & 607
Effective Date:	April 22, 1968
Form Number:	12498 P 1

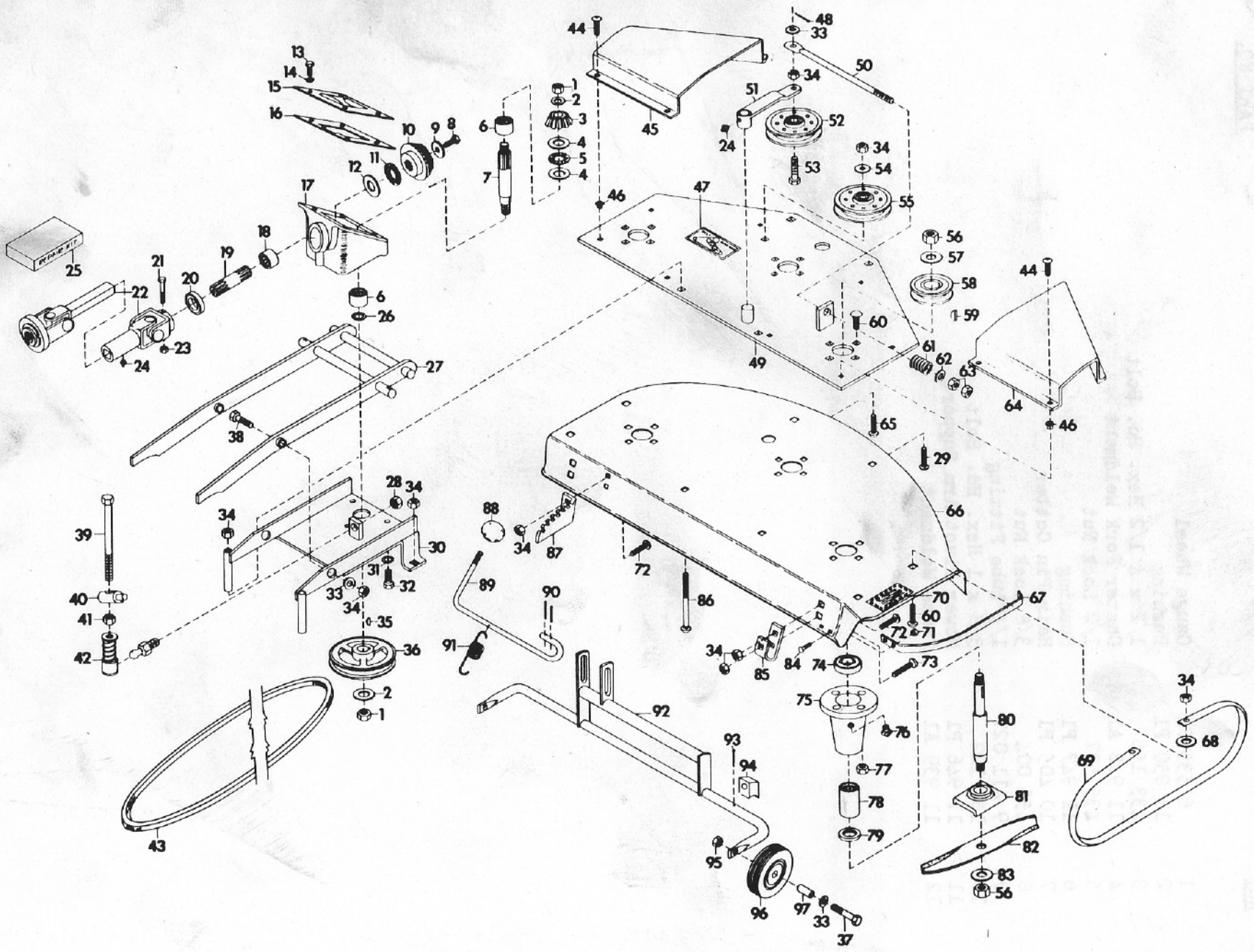
CARRIAGE FRAME ASSEMBLY



CARRIAGE FRAME ASSEMBLY

<u>ITEM NO.</u>	<u>PART NO.</u>	<u>DESCRIPTION</u>	<u>REPLACES PART NO.</u>
1	6 535 P1	Gauge Wheel	
2	11 950 P1	Bushing	
3	433 156	1/2 x 4 1/2 Hex. Hd. Bolt	
4	11 948 A1	Caster Fork Weldment	
5	435 507	1/2 Lock Nut	
6	11 947 P1	Bushing	
7	10 405 P1	Hair Pin Cotter	
8	456 004	3/8 Lock Nut	
9	9 411 027	1/4 Lube Fitting	
10	180 122	3/8 x 1 Hex. Hd. Bolt	
11	11 946 P1	Mower Pivot Arm Support	
12	11 939 A1	Frame Weldment	

50" 3 SPINDLE ROTARY MOWER



50" 3 SPINDLE ROTARY MOWER

<u>ITEM NO.</u>	<u>PART NO.</u>	<u>DESCRIPTION</u>	<u>REPLACES PART NO.</u>
1	11 835 P1	1/2 Lock Nut	
2	9 417 098	17/32 Flat Washer	
3	11 831 P1	Bevel Pinion	
4	11 224 P1	Needle Thrust Bearing Race	
5	11 222 P1	Needle Thrust Bearing	
6	9 660 P1	Needle Bearing	
7	11 832 P1	Spindle Shaft	
8	11 196 P1	Nylock Bolt	
9	446 477	7/16 Flat Washer	
10	11 220 P1	Bevel Gear	
11	11 225 P1	Needle Thrust Bearing	
12	11 226 P1	Needle Thrust Bearing Race	
13	180 016	1/4 x 1/2 Hex. Hd. Bolt	
14	120 380	1/4 Lock Washer	
15	10 982 P1	Gear Housing Cover	
16	12 231 P1	Gear Housing Gasket	
17	12 114 P1	Gear Housing	
18	11 227 P1	Needle Bearing	
19	11 840 P1	Drive Shaft	
20	11 293 P1	Ball Bearing	
21	180 044	1/4 x 2 Hex. Hd. Bolt	
22	11 215 A1	Sq. Tube & Shaft Assembly	
23	9 419 454	1/4 Lock Nut	
24	109 454	1/4 Grease Fitting	
25	12 134 P1	Repair Kit for U-Joint	
26	11 324 P1	Oil Seal	
27	11 251 A2	Pivot Arm Weldment	
* 28	9 415 993	1/2 Lock Nut	
29	120 915	3/8 x 1 Carriage Bolt	
30	11 239 A2	Gear Housing Support Weldment	
31	120 382	3/8 Lock Washer	
32	180 120	3/8 x 3/4 Hex. Hd. Bolt	
33	120 394	13/32 Flat Washer	
34	456 004	3/8 Lock Nut	
35	431 787	#61 Woodruff Key	
36	11 833 P1	Drive Pulley	
37	189 305	3/8 x 3 1/2 Hex. Hd. Bolt	
38	180 126	3/8 x 1 1/2 Hex. Hd. Bolt	
* 39	189 349	1/2 x 5 1/4 Hex. Hd. Bolt	
* 40	11 317 A1	Mower Lift Pivot Assembly	
* 41	124 934	1/2 Hex. Nut	
* 42	11 315 P1	Quick Disconnect Ball Joint Assembly	
43	11 216 P1	V-Belt	
44	167 257	1/4 x 1/2 Tapping Screw	
45	10 995 P2	Pulley Cover L.H.	
46	11 777 P1	Plastic Grommet	
47	11 715 P1	Belt Installation Decal	
48	179 252	1/16 x 1 Cotter Pin	
49	10 991 A2	Deck Support Plate Weldment	
50	11 778 P1	Idler Rod	
51	10 992 P1	Idler Pivot Arm	

* Parts to be used on BM 605 only

50" 3 SPINDLE ROTARY MOWER (continued)

<u>ITEM NO.</u>	<u>PART NO.</u>	<u>DESCRIPTION</u>	<u>REPLACES PART NO.</u>
52	11 255 P1	Idler Sheave	
53	11 313 P1	Drilled Bolt	
54	120 388	7/16 Flat Washer	
55	11 316 P1	Idler Sheave	
56	227-N	5/8 Lock Nut	
57	446 239	5/8 Flat Washer	
58	10 988 P1	Spindle Sheave	
59	124 549	#9 Woodruff Key	
60	126 402	3/8 x 1 1/4 Carriage Bolt	
61	11 779 P1	Spring	
62	120 395	15/32 Flat Washer	
63	271 501	7/16 Hex. Nut	
64	10 994 P2	Pulley Cover R.H.	
65	126 411	3/8 x 1 1/2 Carriage Bolt	
66	10 968 A3	Deck Weldment	
67	11 267 P1	Safety Shield	
68	120 390	9/16 Flat Washer	
69	11 938 P1	Skid	
70	11 238 P1	Safety Decal	
71	190 254	#10 Lock Nut	
72	126 227	3/8 x 3/4 Carriage Bolt	
73	126 416	3/8 x 1 3/4 Carriage Bolt	
74	11 641 P1	Ball Bearing	
75	10 984 P1	Bearing Housing	
76	127 800	1/8 Lube Fitting	
77	9 414 201	3/8 Lock Nut	
78	11 235 P1	Needle Bearing	
79	11 229 P1	Oil Seal	
80	11 232 P1	Bearing Housing Shaft	
81	10 986 P1	Blade Cradle	
82	11 234 P1	Blade	
83	446 502	5/8 Flat Washer	
84	126 193	#10 x 5/8 Carriage Bolt	
85	11 264 P1	Axle Support Bracket	
86	126 729	3/8 x 4 1/2 Carriage Bolt	
87	11 265 P1	Height Adj. Bracket	
88	11 261 P1	Adj. Control Knob	
89	10 993 P1	Height Adj. Lever	
90	120 123	1/8 x 1 1/4 Cotter Pin	
91	11 268 P2	Spring	
92	11 243 A2	Axle Pivot Weldment	
93	103 386	1/8 x 1 1/4 Cotter Pin	
94	11 260 P1	Nylon Stop	
95	124 829	3/8 Hex. Nut	
96	11 386 P1	Wheel	
97	11 937 P1	Bushing	